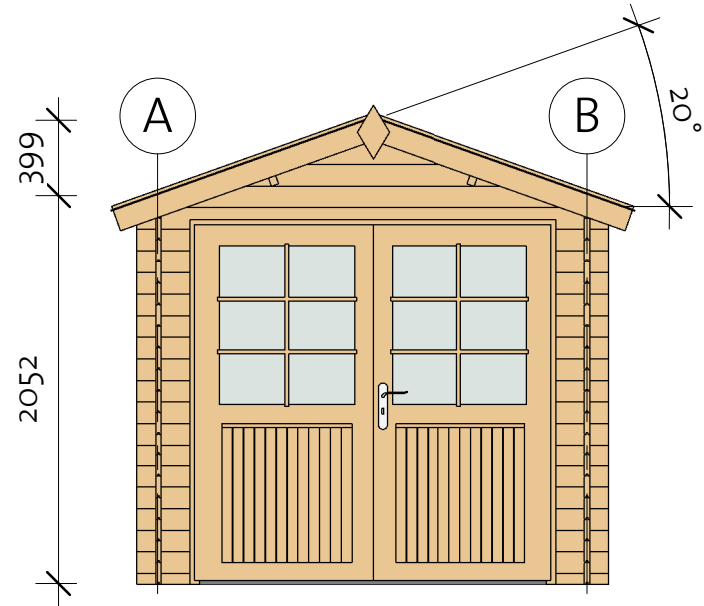
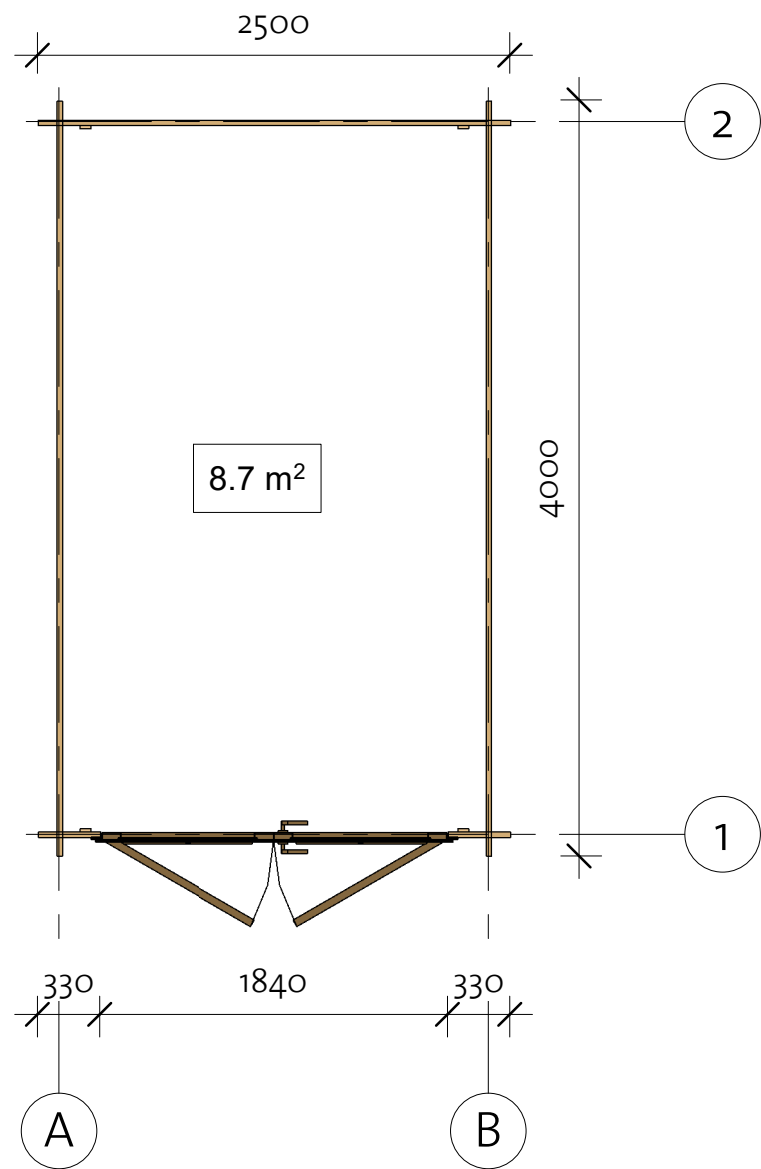
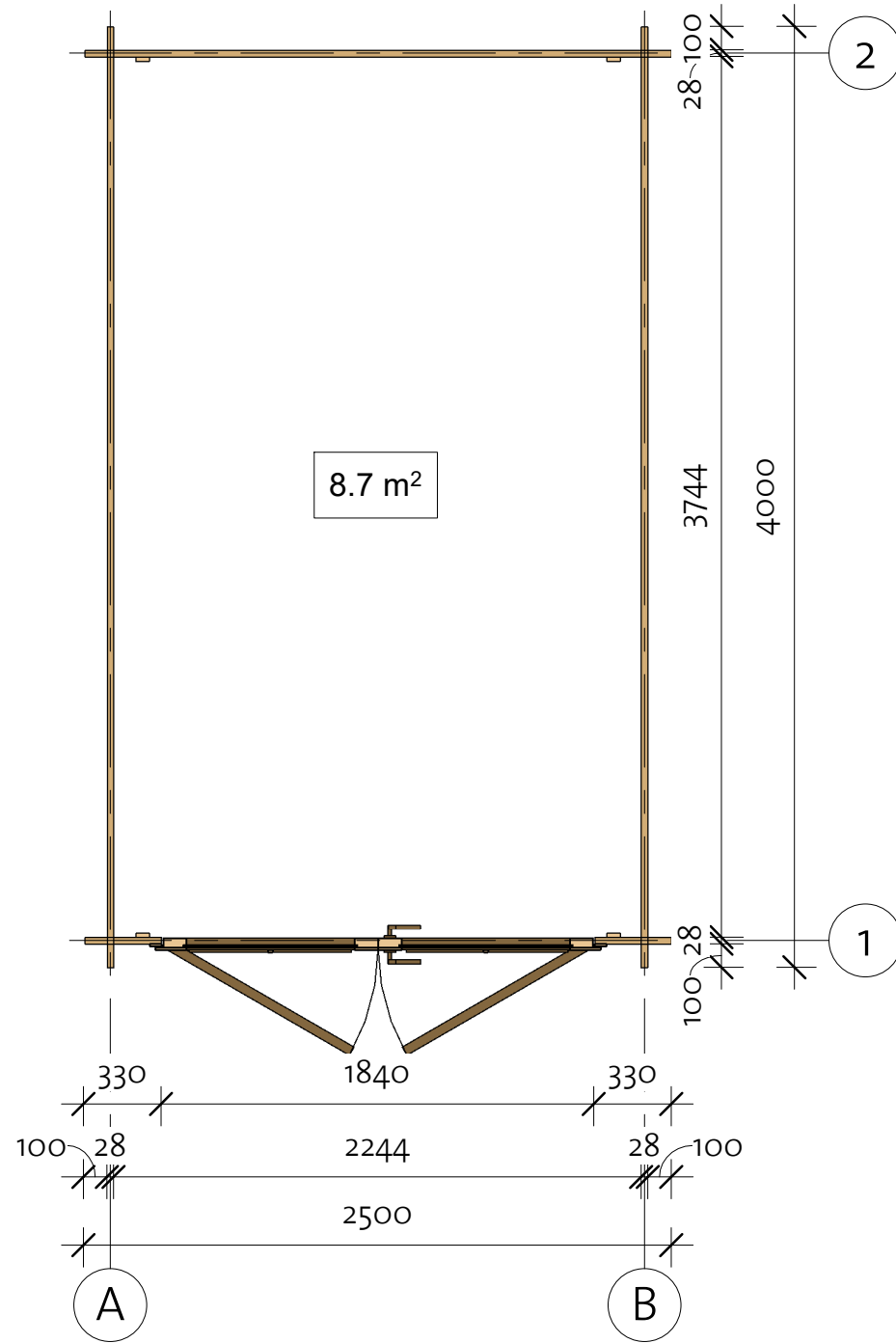


Bremen C 28 - 230x380



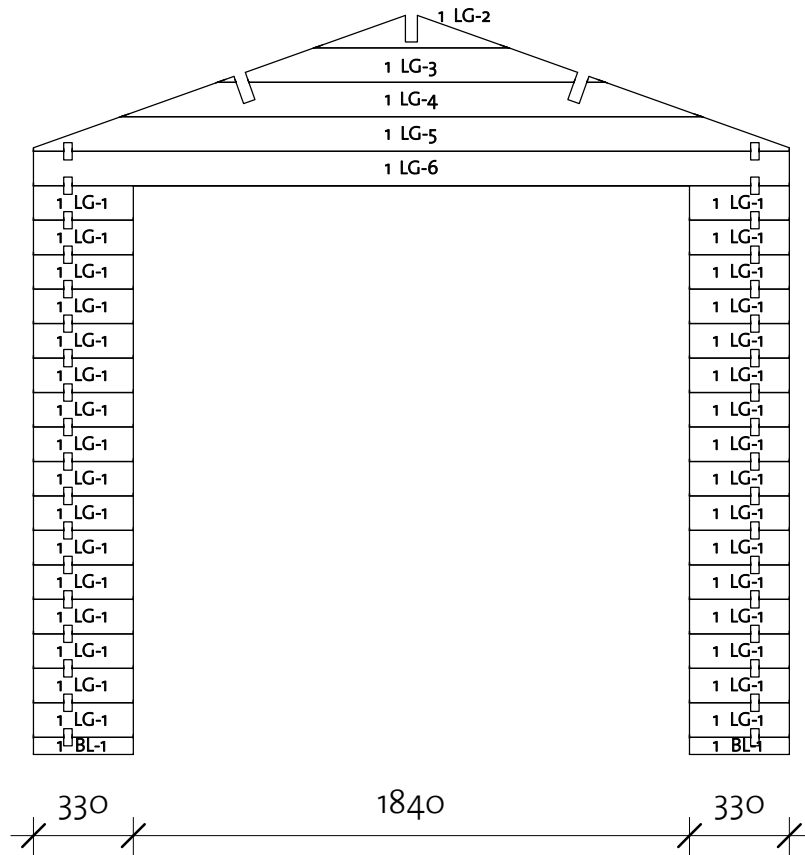
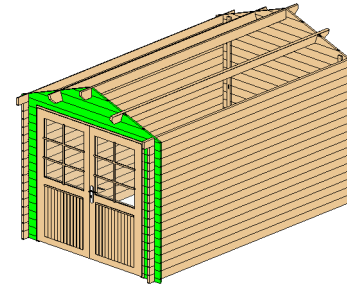
Bremen C 28 - 230x380

Floor Plan



Bremen C 28 - 230x380

Wall 1



Wall 1			
Mark	Profile	Count	Cut Length

1BL-1	28x57	2	330
1LG-1	28x114	32	330
1LG-2 *	28x114	1	643
1LG-3 *	28x114	1	1284
1LG-4 *	28x114	1	1924
1LG-5 *	28x114	1	2500
1LG-6	28x114	1	2500

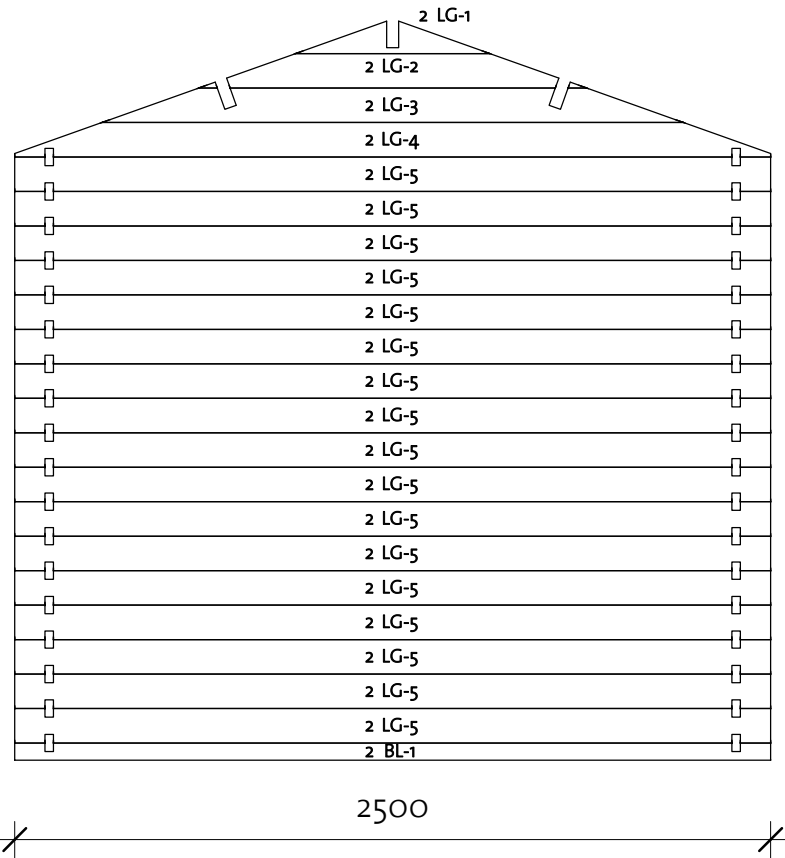
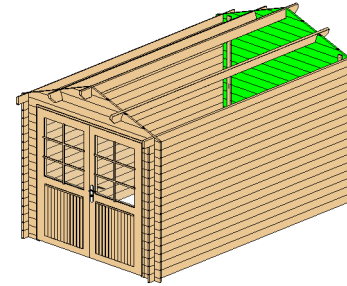
* Gable - delivered premounted

Log Profile Wall 1	
Profile	Profile

28x57	
28x114	

Bremen C 28 - 230x380

Wall 2





Wall 2			
Mark	Profile	Count	Cut Length

2BL-1	28x57	1	2500
2LG-1*	28x114	1	643
2LG-2*	28x114	1	1284
2LG-3*	28x114	1	1924
2LG-4*	28x114	1	2500
2LG-5	28x114	17	2500

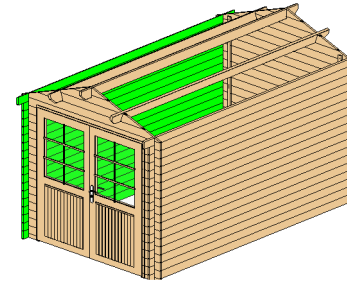
* Gable - delivered premounted

Log Profile Wall 2	
Profile	Profile

28x57	
28x114	

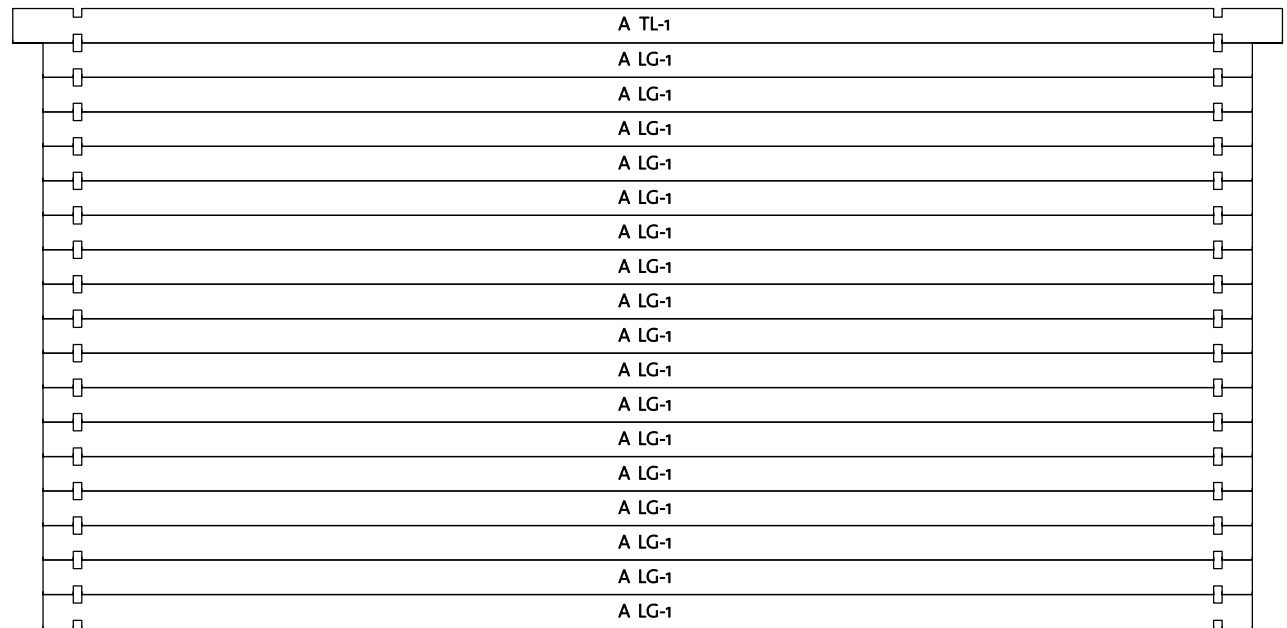
Bremen C 28 - 230x380

Wall A



Wall A			
Mark	Profile	Count	Cut Length

ALG-1	28x114	17	4000
ATL-1	28x114	1	4200

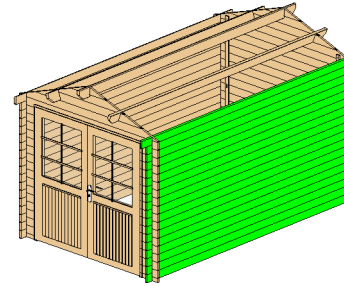


Log Profile Wall A	
Profile	Profile

28x114	
28x114	

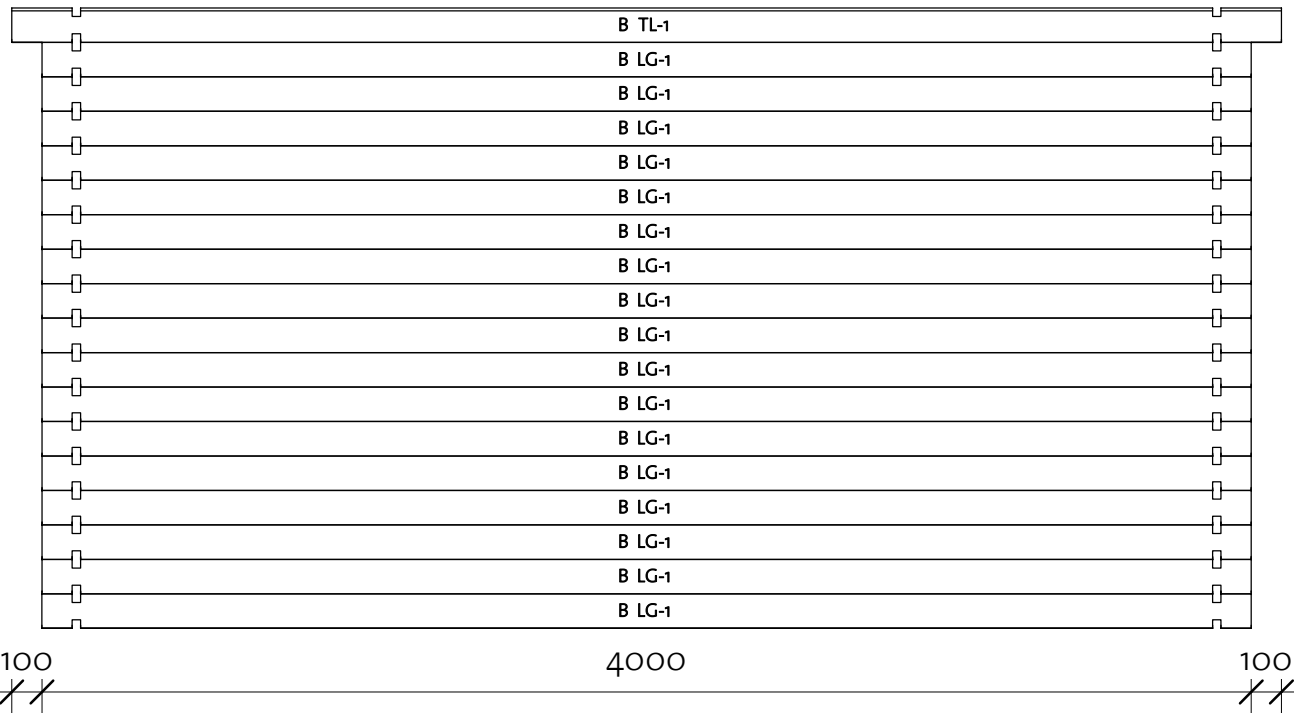
Bremen C 28 - 230x380

Wall B



Wall B			
Mark	Profile	Count	Cut Length

BLG-1	28x114	17	4000
BTL-1	28x114	1	4200

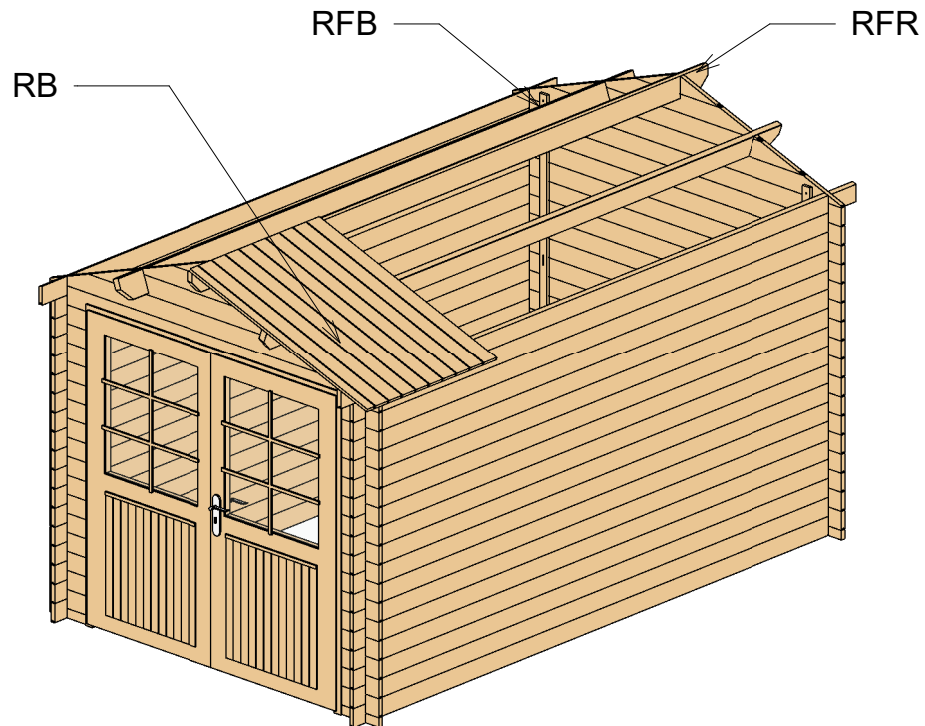





Log Profile Wall B	
Profile	Profile

28x114	
28x114	

Bremen C 28 - 230x380

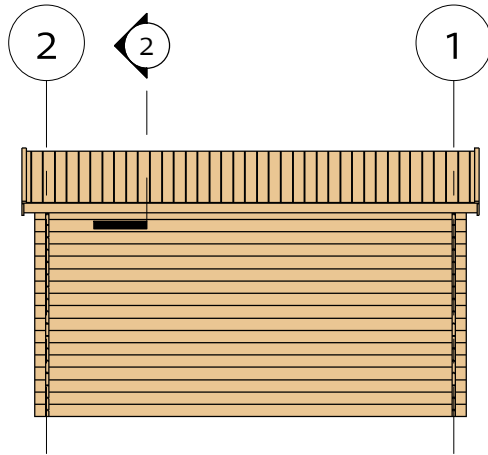
Roof 1



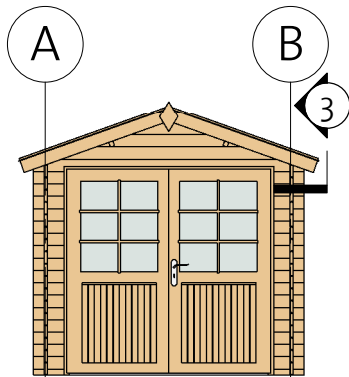
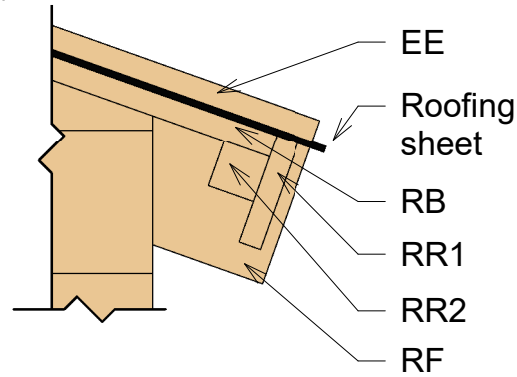
Roof				
Mark	Type	Profile	Count	Length
RFR	Ridge 40x143		1	4200
RFB	Beam 40x143		2	4200
RB	18x110		80	1425

Bremen C 28 - 230x380

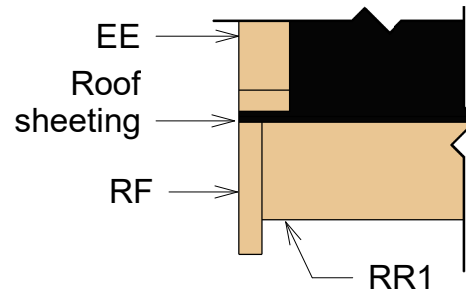
Roof 2



② Facia



③ Roof Reinforcement

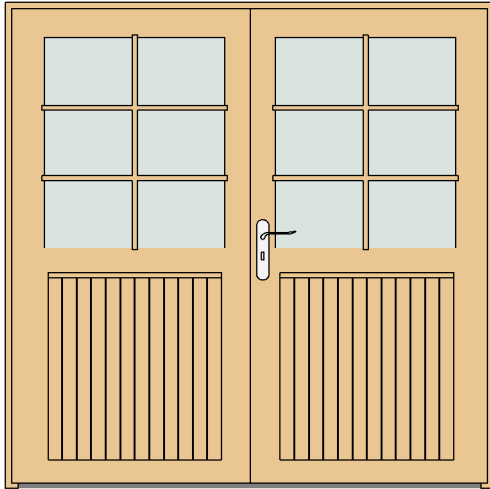


Fascia Schedule

Mark	Type	Profile	Count	Length
EE	Eave Edging 18x40		4	1460
RF	Roof Fascia 18x115		4	1460
RR1	Roof reinforcement 18x90		2	4200
RR2	Roof reinforcement 38x38		2	4200

Bremen C 28 - 230x380

Extras



Door Schedule				
Mark	Type	Width	Height	Count
BDD8	Basic double door 8	1825	1840	1
DCB6	Door Crossbar 6	--	--	2

Fasteners/Extras		
Name	Type	Count




Hitblock	300-400 mm	
Screws	5,0 x 70	10
Bolts	M8 x 60	12
Screws	6,0 x 140	30
Screws	4,0 x 40	90
Screws	4,0 x 50	300





Type	Count
Romb	2
Windboard 18x38 2000 mm	4



Bremen C 28 - 230x380

List of all items 1

Roof				
Mark	Type	Profile	Count	Length
RFR	Ridge 40x143		1	4200
RFB	Beam 40x143		2	4200
RB	18x110		80	1425

Fascia Schedule				
Mark	Type	Profile	Count	Length
EE	Eave Edging 18x40		4	1460
RF	Roof Fascia 18x115		4	1460
RR1	Roof reinforcement 18x90		2	4200
RR2	Roof reinforcement 38x38		2	4200

Bremen C 28 - 230x380

List of all items 2

Wall 1			
Mark	Profile	Count	Cut Length

1BL-1	28x57	2	330
1LG-1	28x114	32	330
1LG-2*	28x114	1	643
1LG-3*	28x114	1	1284
1LG-4*	28x114	1	1924
1LG-5*	28x114	1	2500
1LG-6	28x114	1	2500

Wall 2			
Mark	Profile	Count	Cut Length

2BL-1	28x57	1	2500
2LG-1*	28x114	1	643
2LG-2*	28x114	1	1284
2LG-3*	28x114	1	1924
2LG-4*	28x114	1	2500
2LG-5	28x114	17	2500

* Gable - delivered premounted



Wall A			
Mark	Profile	Count	Cut Length

ALG-1	28x114	17	4000
ATL-1	28x114	1	4200

Wall B			
Mark	Profile	Count	Cut Length

BLG-1	28x114	17	4000
BTL-1	28x114	1	4200

Log Profiles	
Profile	Profile

28x57	
28x114	

Log Profiles	
Profile	Profile

28x114	
--------	---